

# Telemetry line amplifier

For 1395 ~ 1432 MHz, Model NP-1420



## Features

- Operate with a single power supply thru coax cable from the receiver.
- Passes power from the output to the input for serial operation.
- F-type connector.
- Indoor use only.

### ⚠ CAUTION

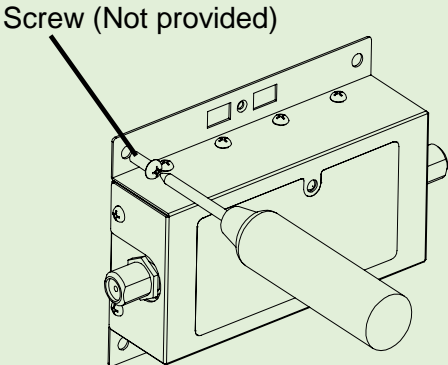
- \* To prevent fire or shock hazard, do not expose this device to rain or moisture.
- \* Use the power supply which provides short circuit protection.
- \* Don't use too much of amplifier. Too much of amplifier may cause self-oscillation or over input to the receiver.

## Specifications

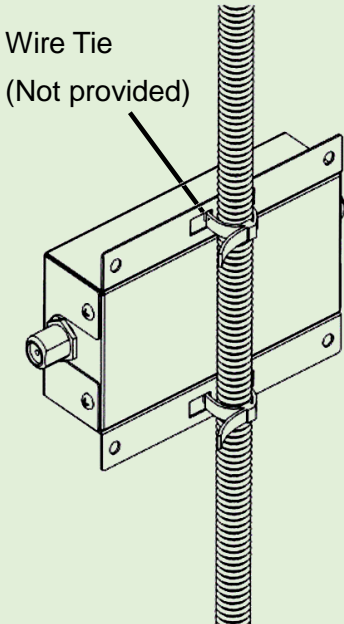
1. Frequency range:	1395 to 1432 MHz
2. Gain:	17 dB Typical
3. Noise Figure:	2 dB Typical
4. 1 dB compression input	94 dBuVEMF or more
5. Line Power thru coax cable	30 mA Typical
6. Power requirements:	+8 to +24 V DC thru coax cable
7. Connector:	F-type female 75 ohm
8. Power lamp	Yes
9. Size:	0.98 (T) x 4.5 (W) x 2.7 (D) inches
10. Weight:	0.29 lbs +/- 0.022 lbs
11. Operating temperature:	-10 to + 60 degrees C
12. Humidity range:	10 to 95% RH, no condensation
13. Accessories:	Installation manual

# Installation

## Wall mounts



## Hanging Screw mounts



 **NISSEI  
ELECTRONICS CO.,LTD**  
5-13-4 Towa Building, Towa, Adachi, Tokyo, 120-0003 Japan  
Tel:81-3-3629-1891