

# Variable gain Telemetry line amplifier

For 1395 ~ 1432 MHz, Model NP-1430



## Features

- Variable gain from 12 to 39dB.
- Operate with a single power supply thru coax cable from the receiver.
- Passes power from the output to the input for serial operation.
- F-type connector.
- Indoor use only.

### ⚠ CAUTION

- \* To prevent fire or shock hazard, do not expose this device to rain or moisture.
- \* Use the power supply which provides short circuit protection.
- \* Don't use too much of amplifier. Too much of amplifier may cause self-oscillation or over input to the receiver.

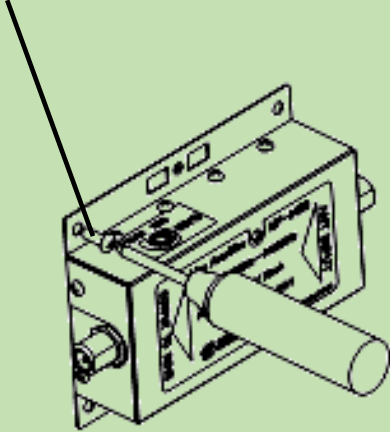
## Specifications

1. Frequency range:	1395 to 1432 MHz
2. Gain:	12 to 39 dB Typical
3. Noise Figure:	1.7 dB Typical when max gain
4. 1 dB compression input	84 to 97 dBuVEMF Typical
5. Line Power thru coax cable	70 mA Typical
6. Power requirements:	+8 to +24 V DC thru coax cable
7. Connector:	F-type female 75 ohm
8. Power lamp	Yes
9. Size:	0.98 (T) x 4.5 (W) x 2.7 (D) inches
10. Weight:	0.29 lbs +/- 0.022 lbs
11. Operating temperature:	-10 to + 60 degrees C
12. Humidity range:	30 to 95% RH, no condensation
13. Accessories:	Installation manual

# Installation

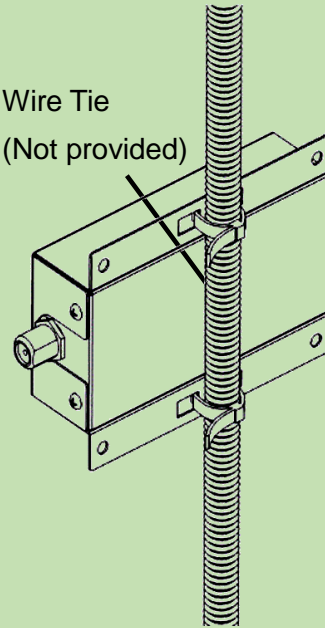
## Wall mounts

Screw (Not provided)

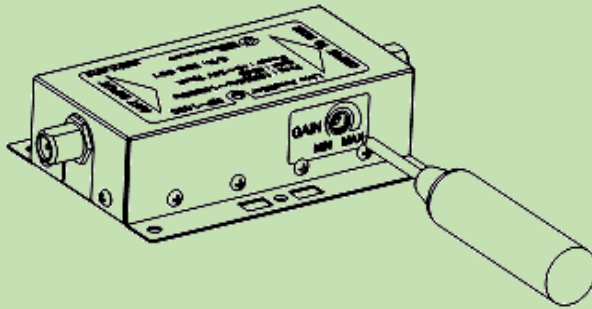


## Hanging Screw mounts

Wire Tie  
(Not provided)



## Gain alignment



**NISSEI  
ELECTRONICS CO.,LTD**

5-13-4 Towa Building, Towa, Adachi, Tokyo, 120-0003 Japan

Tel:81-3-3629-1891