

Power Supply for Antenna Amplifier

+24V DC 1.5A, 400 to 1500 MHz Model NP-3000



Features

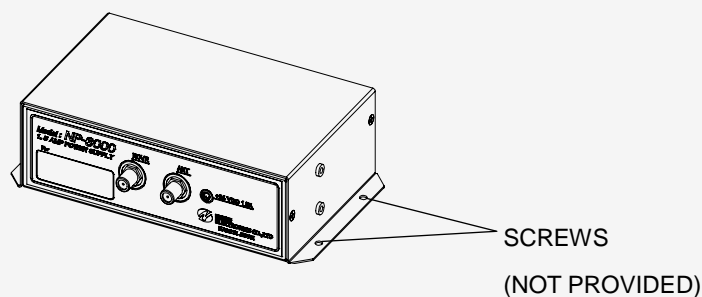
- Supply a regulated +24VDC to line amplifier thru 75 ohm coaxial line.
- Short-circuit protection circuit built-in.
- F-type connector.
- Indoor use only.

Power Supply Specifications

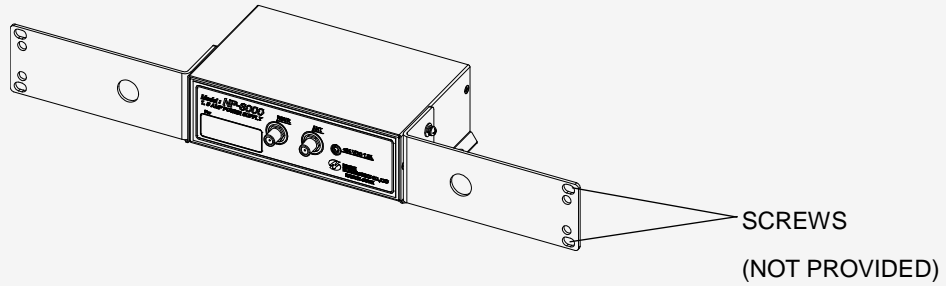
- | | |
|-------------------------------|--|
| 1. Input Voltage: | 120 V AC60Hz |
| 2. Output Voltage: | 24V DC +/- 1V |
| 3. Output Current: | 1.5 Amps Max |
| 4. Ripple: | 240 mVp-p |
| 5. Bandpass: | 400 to 1500 MHz |
| 6. Short Protected: | Yes |
| 7. Connector: | 75 ohm F-Type female |
| 8. Reverse Withstand Voltage: | 50 VDC Max |
| 9. Safety Standard: | UL, cUL: 62368-1 |
| 10. Size: | 8.03(W) x 4.37(D) x 2.24(T) inches |
| 11. Weight (Main unit): | 2.06 lbs. typ. |
| 12. Operating temperature: | 0 to + 40 degrees C |
| 13. Accessories: | Two Mounting L brackets, One power cable
Four M4x8 Philips head screw |

MOUNTING OPTIONS:

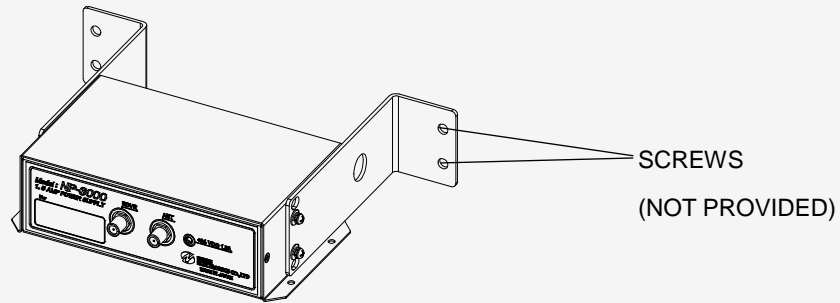
SURFACE MOUNT



RACK MOUNT



EDGE MOUNT



WARNINGS:

1. An apparatus with Class 1 construction shall be connected to a Mains socket outlet with a protective earthing connection.
2. Where the Mains plug or an appliance coupler is used as the disconnect device, the disconnect device shall remain readily operable.
3. The apparatus shall not be exposed to dripping or splashing and no objects filled with liquids, such as vases shall be placed on the apparatus.
4. Do not stack the apparatus without space. Provide a space for heat dissipation between the apparatus and the apparatus.



**NISSEI
ELECTRONICS CO.,LTD**

5-13-4 Towa Building, Towa, Adachi, Tokyo, 120-0003 Japan

Tel:81-3-3629-1891