

2, 4, 6 Way Splitters for WMTS Antenna

Model SA-2140, SA-4140, SA-6140



1. Features

- The power supplied through the core of the coaxial cable to which it is connected passes through all the terminals, so you can operate a line amplifier that functions on the power supply via the coaxial cable.
- The case is made of die-cast metal with a high shielding effect, so it has a high electromagnetic shielding effect.

⚠ Caution

- This splitter passes current through all the terminals. Please be aware that if you use it for TV antenna system, CATV antenna system, etc., the connected equipment may be damaged.
- Because it is for indoor use only, please do not use outdoors where it is exposed to water.
- For good long-term connection, it is recommended to use contact pin type F type connector for RG11 type coaxial cable.

2. Specifications

Item	2-Way Splitter	4-way Splitter	6-Way Splitter
Model	SA-2140	SA-4140	SA-6140
400MHz Band Splitting Loss	4.2 dB or Less	8 dB or Less	10.5 dB or Less
600MHz Band Splitting Loss	4.2 dB or Less	8 dB or Less	10.5 dB or Less
1.4GHz Band Splitting Loss	4.8 dB or Less	9.5 dB or Less	12 dB or Less
400MHz Min. Isolation	20 dB or Over	20 dB or Over	18 dB or Over
600MHz Min. Isolation	20 dB or Over	20 dB or Over	18 dB or Over
1.4GHz Min. Isolation	15 dB or Over	15 dB or Over	15 dB or Over
Dimensions (inches)	2.2 x 2.1 x 0.6	3.0 x 2.1 x 0.6	4.8 x 2.1 x 0.6
Weight (lbs.)	0.12	0.15	0.24

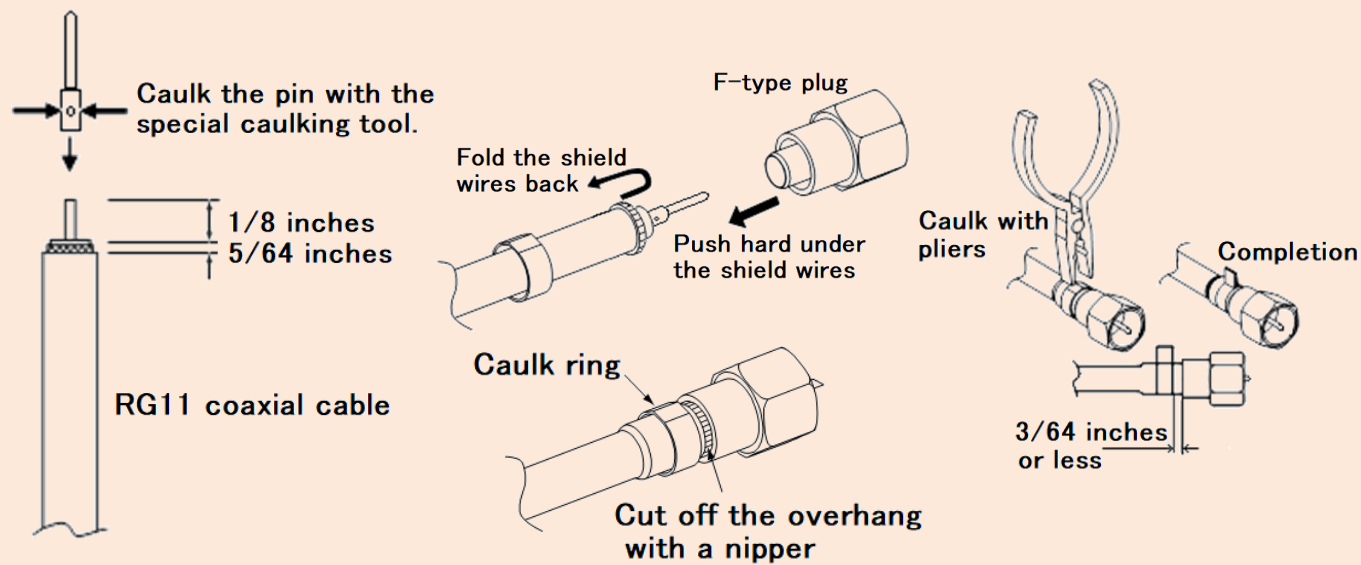
Common Specifications

Frequency Range	: 400 MHz to 1500 MHz
Input and Output Connector	: 75 ohms F-type female
Current Passing	: AC/DC 1A Max, All Ports
Voltage Passing	: 25 V Max
Place to Use	: Indoors Only
VSWR	: 2.0 or Less

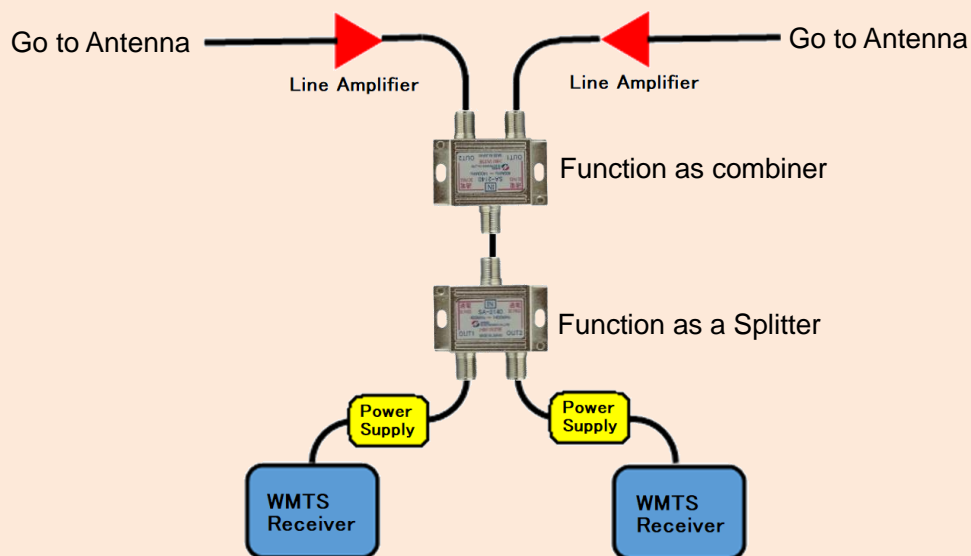
(Note) All specifications are subject to change without notice.

3. Example of F-type plug installation

Coaxial cable cutting and pin caulking → Installing the F-plugs → Crimping ring clenches



4. Example of usage



**NISSEI
ELECTRONICS CO.,LTD**

5-13-4 Towa Building, Towa, Adachi, Tokyo, 120-0003 Japan

Tel:81-3-3629-1891